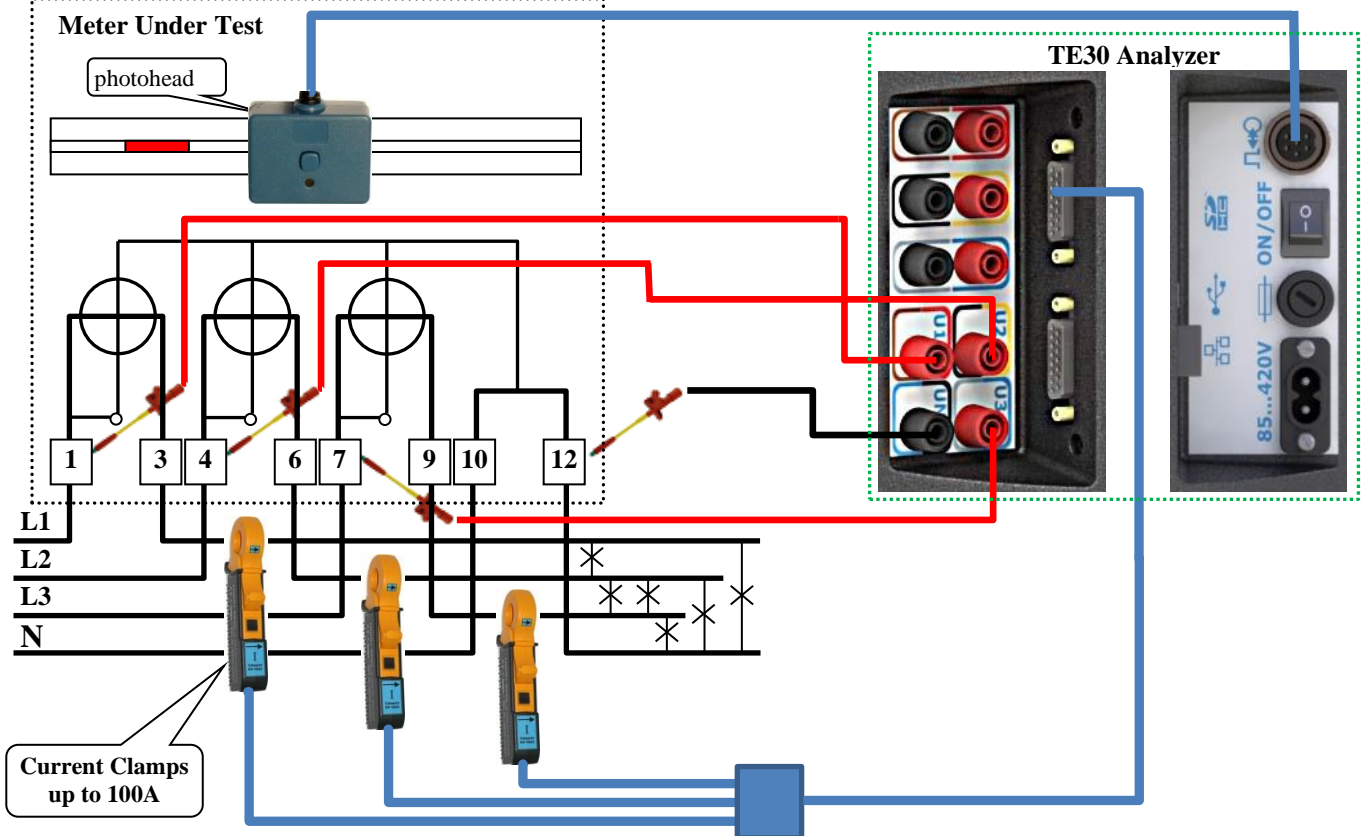


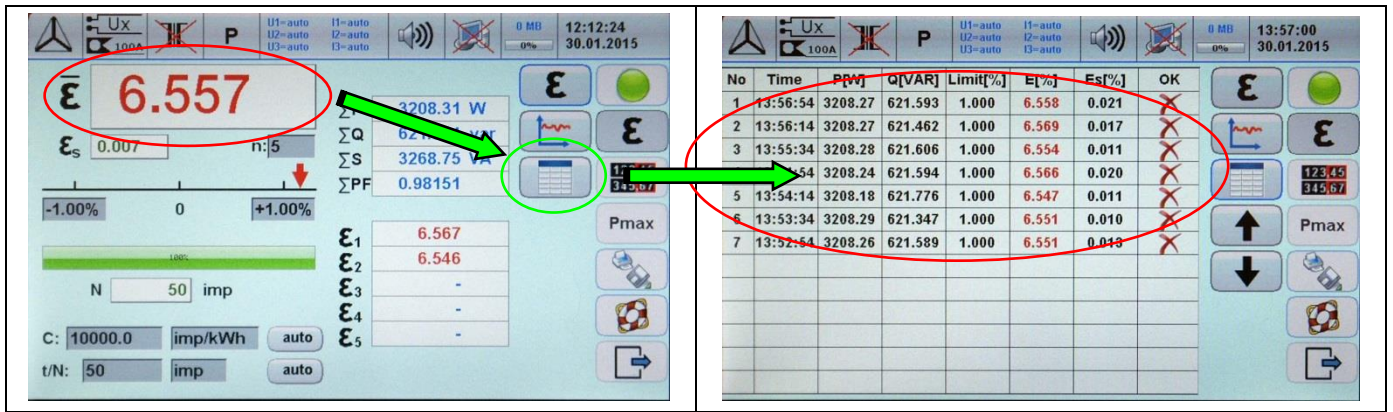
Testing 3-Phase 4-Wire Energy Meter by means of TE30 Analyzer with clamps.



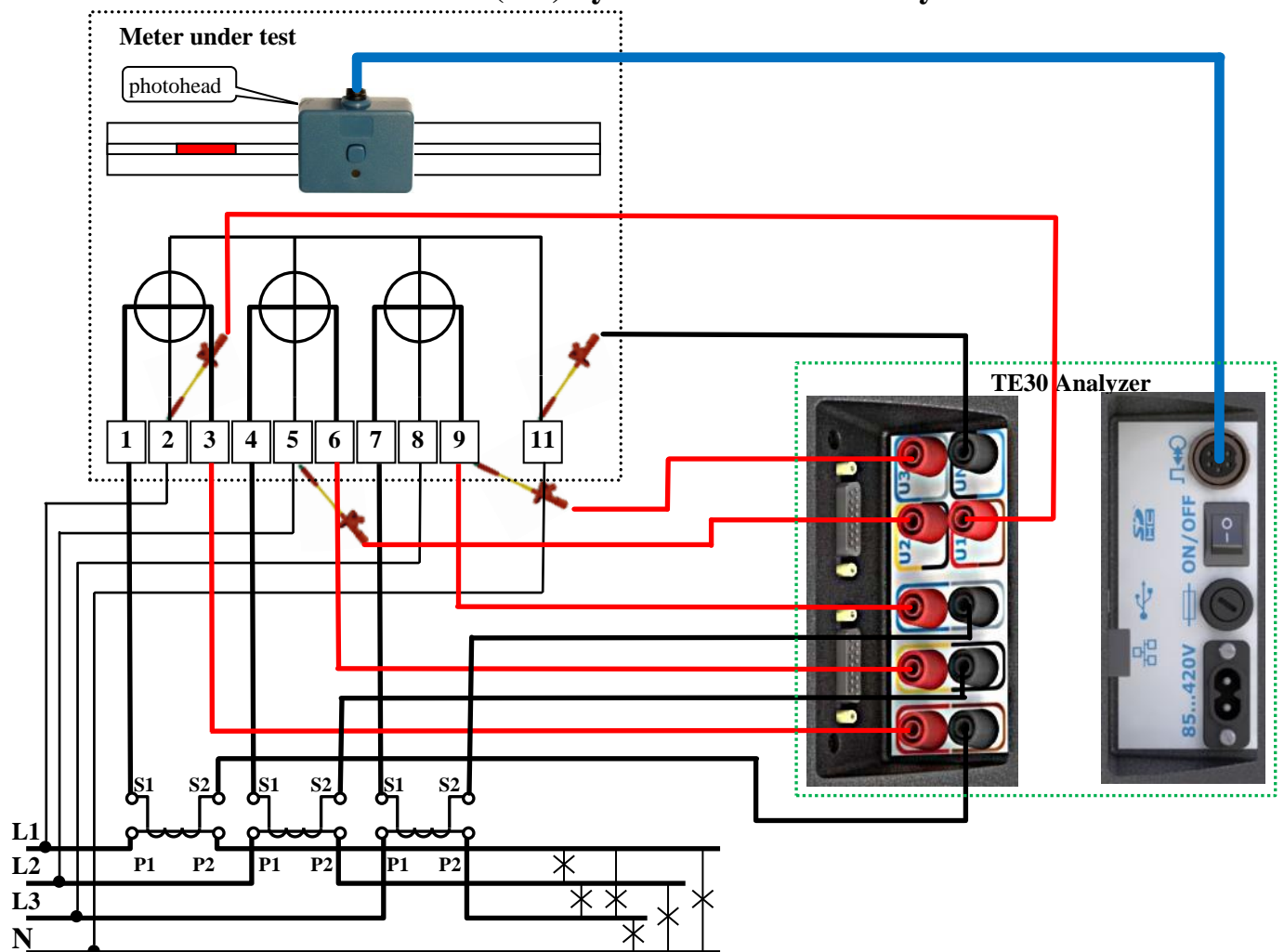
After Clamps, Measurement and Power supply cables connection TE30 analyzer is **READY** to work.
REMARK! The best measurements results are at the Power network Load > 500W.

Setting the parameters of TE30 analyzer after Power switching ON. Setting the Meter Constant by pop up keyboard {in this example C=10 000 imp/kWh}, number of impulses {t/N=50 imp} and **START**.

Final result of measurement and Table with all Results {in this example the error is 6.557%}.



Testing the error of 3-Phase 4-Wire Energy Meter, connected by Current Transformer (CT) by means of TE30 Analyzer.



CAUTION! During making brake on secondary side of CT to connect TE30 directly, shunt the S1 and S2 terminals BEFORE BREAK and after connection to the TE30, remove shunt.

REMARK! The secondary CT current can be also measured by Current Clamps without breaking the secondary circuit (RECOMMENDED).