

Single Position Rack for Meter Hanging

ER10 Single Position Rack for Meter Hanging

- Fast and easy mounting of different electricity meters
- Quick Connection Device up to 100A in option
- Robust aluminium profiles
- Light weight
- Elegancy design

The ER10 suspension rack provides a fast and easy mounting of the electricity meter for the efficient testing of meters, sophisticated multi-function meters or special tests. The ER10 rack is made of robust aluminium profiles and may be used as:



Meter Suspension Rack with Direct Connection – it enables electricity meters (and other devices as protective relays or measurement transducers) to be hanged, mounted and connected with using all types of test leads,



Meter Suspension Rack with Quick Connection Device – it enables electricity meters to be mounted and connected rapidly for the purpose of their adjustment, test and verification. Thanks to the smart design of the EH10.3 quick connection device, it may be used for the connection of practically all types of electricity meters with currents up to 100A. The quick connection device is fixed to the suspension rack by using of two knobs.



Spring contact pins of the EH10.3 are used to make connection to the meter and may be easy moved sideways and fixed in any desired position with distance between two adjacent contact pins from 14mm. It is also easy to remove and switch the pin positions for preparing the contact pin configuration to many different meter connection schemes, including single and three phase meters.

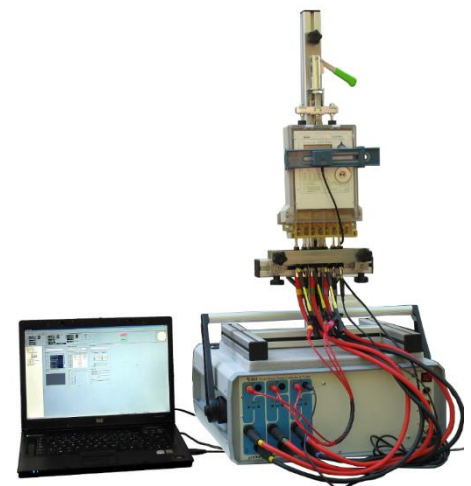
Flexible contact pins enable connecting:



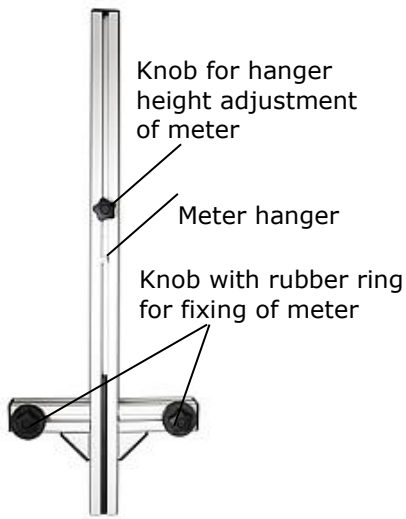
safety voltage and current cables up to 20A with using adaptor M8-- \varnothing 4,

current cables up to 120A

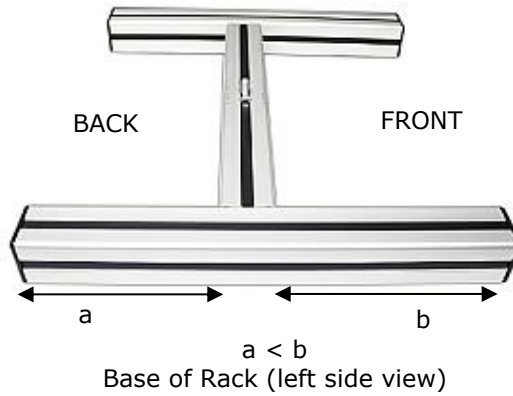
The ER10 rack together with C300B Power Calibrator allows the automatic or manual testing of a single and three phase electricity meters and other devices in 0.02 or 0.05 accuracy class up to 120A current range, without the need of an additional instruments and options - see as example TB10 three phase meter test station.



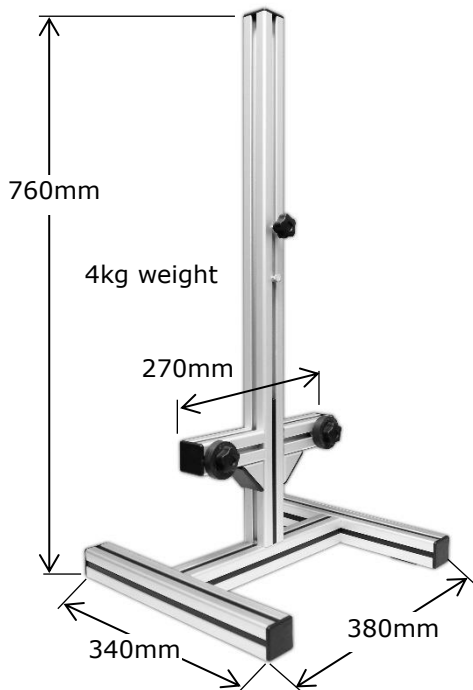
The ER10 is completely delivered as a ready for operation after connecting two parts using included 5 mm hex key according to following assembly manual:



Frame of Rack (front view)



Connect frame with base of rack using hex key in bottom side



ER10 Rack's equipment

All completed ER10 Rack's set consists of:

- Frame of Rack,
- Base of Rack,
- 5 mm hex key,
- Warranty card.

Optionally for ER10 Rack are available:

- EH10.1 Quick Connection Device 1-phase
- EH10.3 Quick Connection Device 3-phase

Calmet sp. z o.o.
 Kukulcza 18, 65-472 Zielona Gora, Poland
 Phone +48 68 324 04 56 Fax +48 68 324 04 57
 E-mail: mail@calmet.com.pl Web access: http://www.calmet.com.pl